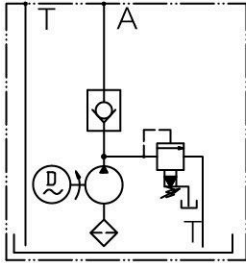
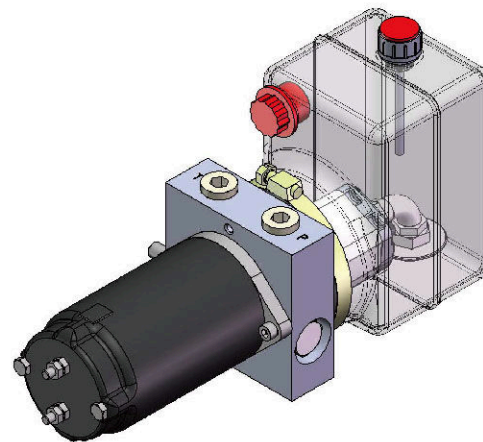
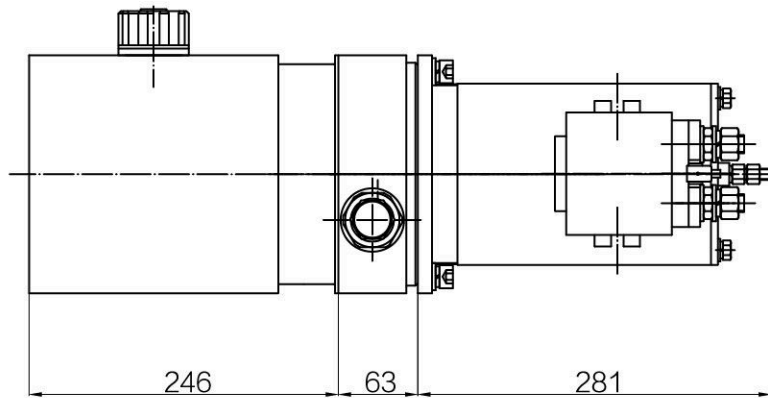
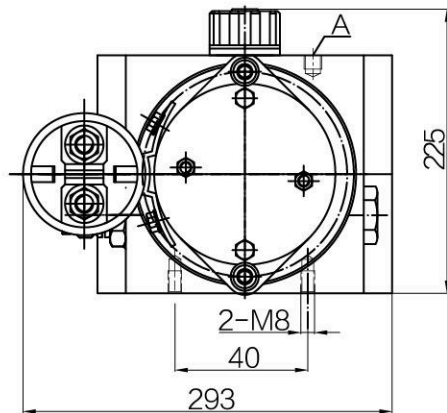


Micro Power Unit for Medical Equipment



This hydraulic power unit is made up of motorized operating bed in medical equipment, low noise and electricity, light body, provide the power origin for operating bed, also used in electric bed.



Specifications

Model	Motor	Disp. (cc/r)	Tank Cap. (L)	Pressure (MPa)	Installation	Port Size
DC-F02-0.25/D-0.5/24/**-1H-C	24V 0.5Kw 2000RPM	0.25	1.0	10	Horizontal	G1/4
DC-F02-0.50/D-0.5/24/**-1H-C		0.50		6.5		

Specific parameters can be customized according to customer requirements.