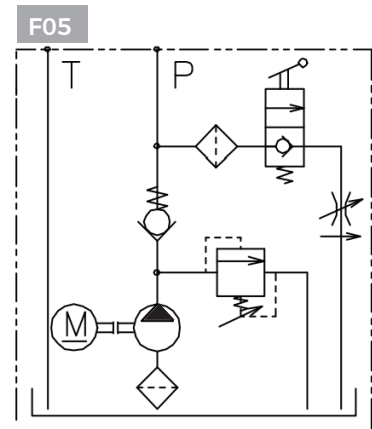


Vehicle Lift Power Pack

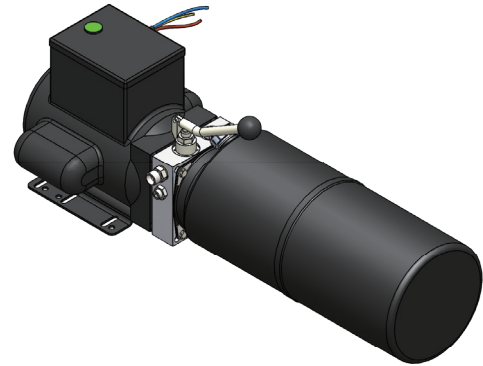
Introduction

1. High-pressure gear oil pump / AC motor / Button unloading
2. Manual unloading, adjustable speed



Technical Data

Model	AC-F05-2.1/G-2.2/110/3400/**-10V-A
Voltage	AC110V
Power	2.2kW
Speed	3400rpm
Disp.	2.1 cc/r
Pressure	21MPa
Volume	10L
Size	P1, P2: M14x1.5



Drawing

