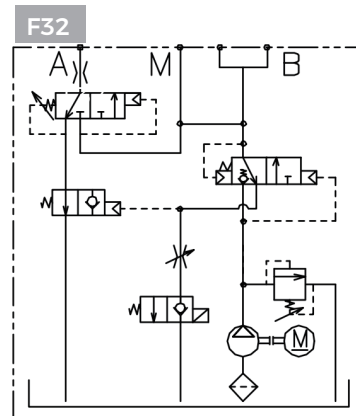


Dock Leveler Power Pack 1

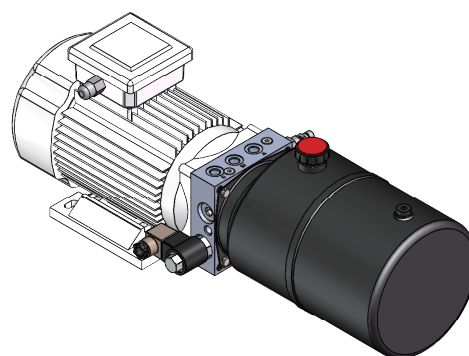
Introduction

1. High-pressure gear oil pump / AC motor / Multi-valve control
2. Iron tank



Technical Data

Model	AC-F32-3.2/D-1.5/240/1440/**-6H-C
Voltage	AC240V
Power	1.5kW
Speed	1440rpm
Disp.	3.2cc/r
Pressure	10MPa
Volume	6L
Size	A, B, M: G1/4



Drawing

