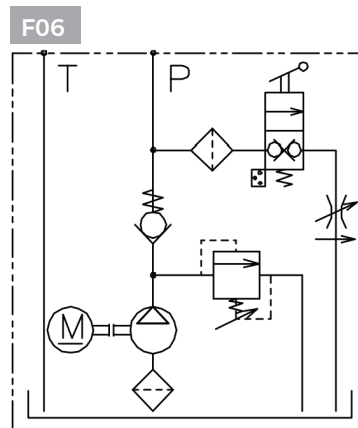


Semi-electric Stacker Power Pack

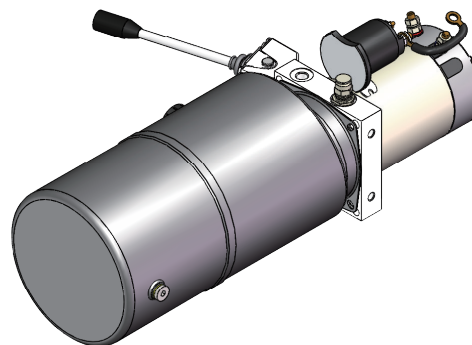
Introduction

1. High-pressure gear oil pump / DC motor / Manual switch
2. Pressure limiting relief valve
3. The descent speed is adjustable



Technical Data

Model	DC-F06-2.6/E-2.2/24/**-8HS-A
Voltage	DC24V
Power	2.2kW
Speed	2500rpm
Disp.	2.6cc/r
Pressure	16MPa
Volume	8L
Size	P, T: M14x1.5



Drawing

