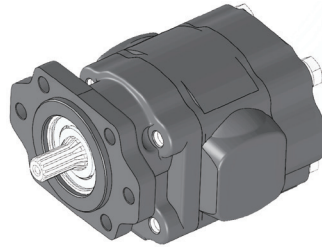


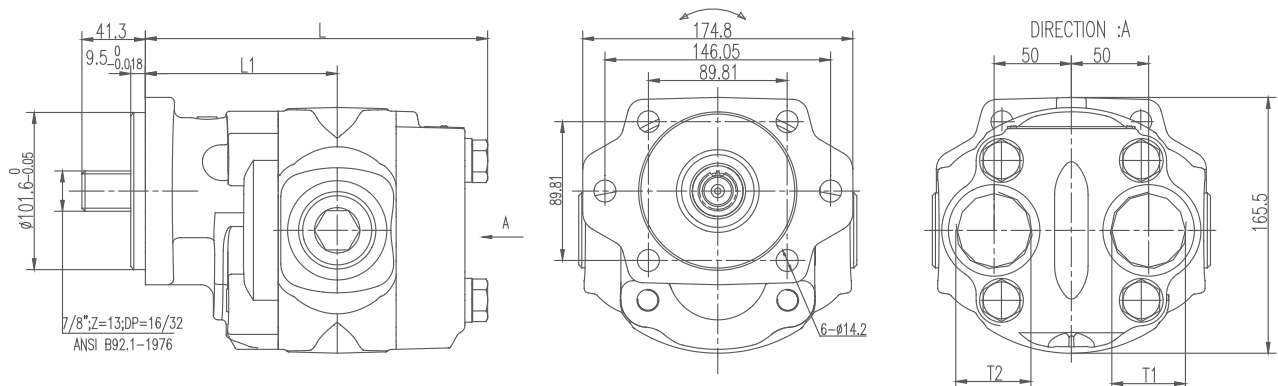
### 3.5APF\*\*L\*\*S84D14\*-B-O



Model	Displacement (ml/r)	Pressure(bar)		Speed(r/min)			L (mm)	L1 (mm)	T1 (mm)	T2 (mm)
		Rated	Peak	Rated	Max	Min				
3.5APF52L**S84D14-B-O	52	170	210	1500	3600	600	181.0	206.5	1"	1-1/4"
3.5APF63L**S84D14-B-O	63	170	210	1500	3600	600	187.5	216.0	1"	1-1/4"
3.5APF73L**S84D14-B-O	73	170	210	1500	3600	600	193.5	225.3	1-1/4"	1-1/4"
3.5APF85L**S84D14-B-O	85	150	180	1500	3600	600	200.5	235.5	1-1/4"	1-1/4"
3.5APF93L**S84D14-B-O	93	150	180	1500	3600	600	206.5	244.5	1-1/2"	1-1/4"
3.5APF104L**S84D14-B-O	104	150	180	1500	3600	600	213.0	254.5	1-1/2"	1-1/4"
3.5APF115L**S84D14-B-O	115	120	140	1500	3600	600	219.0	263.5	1-1/2"	1-1/4"

### Dimensions

#### 3.5APF\*\*L\*\*S84D14-B-O



#### 3.5BPF\*\*F108F102S73SP9-B-O

