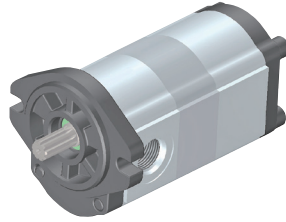
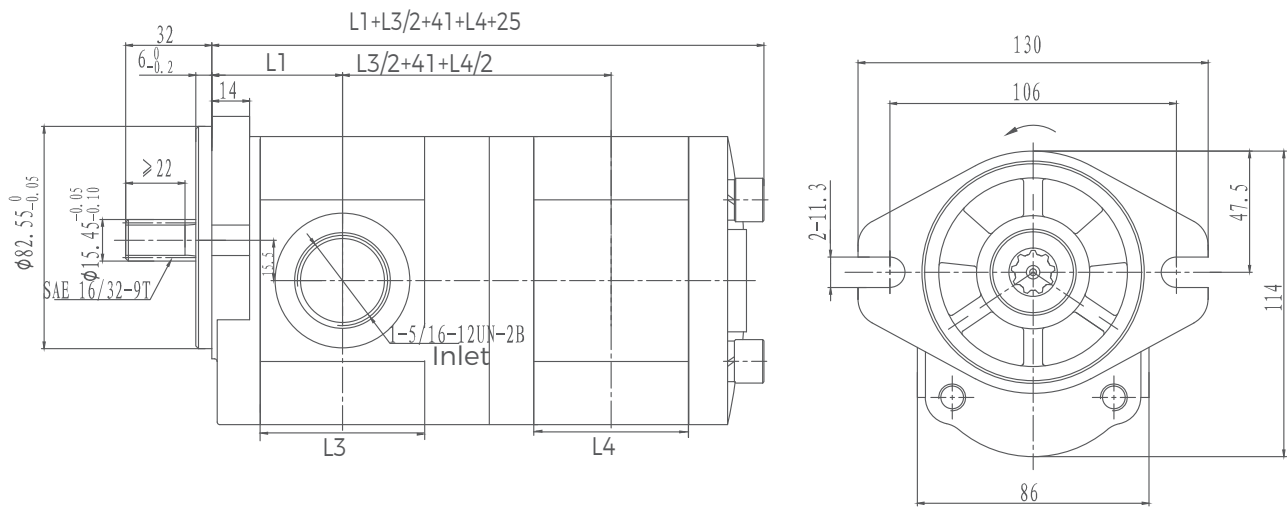


2ADPF/**DL**S18D9***



Displacement(ml/r)	4	6	8	10	12	14	16	18	20	23	28	30
L3/L4	50.5	54.0	57.0	60.0	63.0	66.0	69.0	72.5	76.0	80.5	88.0	91.0
L	96	98	102	104	108	110	114	117	120	123	133	136
L1	43.3	45	46.5	48.0	50.0	51.0	53.0	55.0	56.0	58.0	63.0	64.0

Dimensions



2ADPF/**DF**T10S8***

Displacement(ml/r)	4	6	8	10	12	14	16	18	20	23	28	30
L3/L4	50.5	54.0	57.0	60.0	63.0	66.0	69.0	72.5	76.0	80.5	88.0	91.0
L	96	98	102	104	108	110	114	117	120	123	133	136
L1	43.3	45.0	46.5	48.0	50.0	51.0	53.0	55.0	56.0	58.0	63.0	64.0

Dimensions

