

PTO Gear Pumps

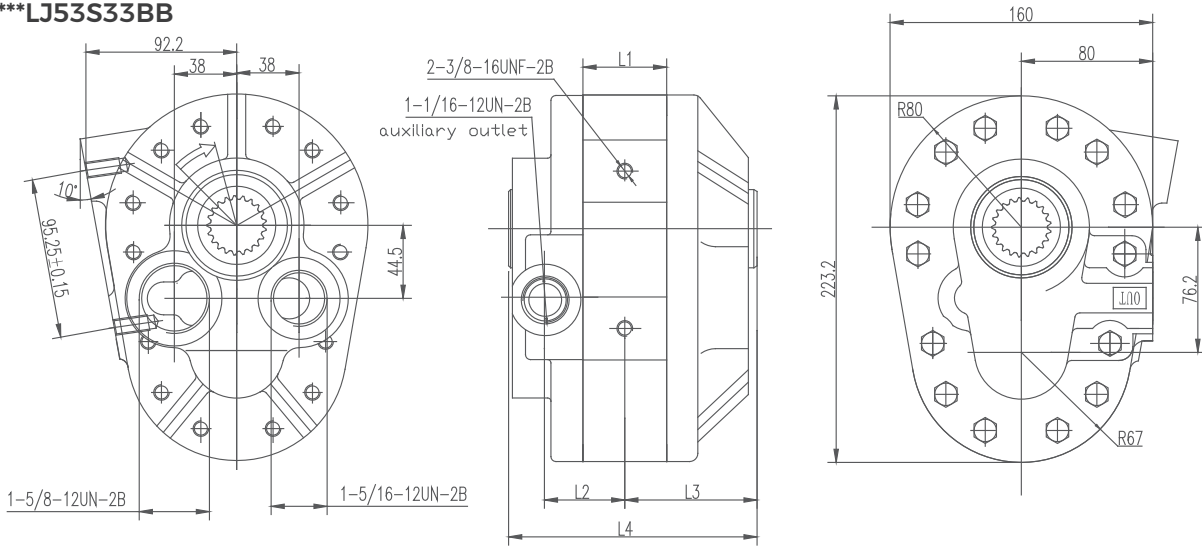


PTO pump can be used in the hydraulic systems of agricultural tractors

Model	Displacement (cc/r)	Pressure	Speed	L1 (mm)	L2 (mm)	L3 (mm)	L4 (mm)	L5 (mm)
		Max.	Rated					
CB-P160LJ53S33BB	160	160 bar (2250 psi)	1000RPM	60.2	53.0	86	161	61.0
CB-P125LJ53S33BB	125			50.8	50.8	81	151	52.0
CB-P90LJ53S33BB	90			41.5	44.0	76	142	47.5
CB-P56LJ53S33BB	56			32.0	39.0	71	133	42.5
CB-P160LJ42H21SS	160		540RPM	60.2	53.0	86	161	61.0
CB-P125LJ42H21SS	125			50.8	48.0	81	151	52.0
CB-P90LJ42H21SS	90			41.5	44.0	76	142	47.5
CB-P56LJ42H21SS	56			32.0	39.0	71	133	42.5

Dimensions

CB-P***LJ53S33BB



CB-P***LJ42H21SS

