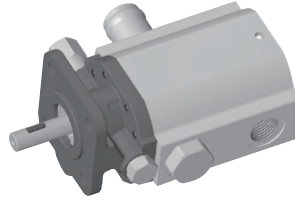
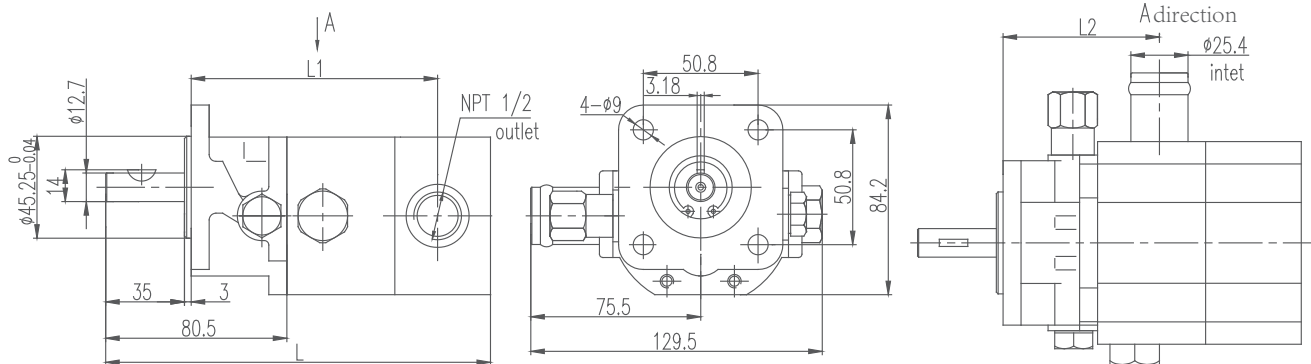


2CB-E**/** HI/LO Gear Pumps



Model	Flow (gpm)	Pressure(PSI)		Displacement (Cu.in/r)		Speed (rpm)	D	
		LO	HI	LO	HI		Inlet	Outlet
2CB-E6.3/2.1	8.0	400/900	3000	0.385	0.130	3600	1 IN PIPE	1/2 NPT
2CB-E6.3/3.0	8.5	400/900	3000	0.385	0.183			
2CB-E6.3/3.6	9.0	400/900	3000	0.385	0.220			
2CB-E8.8/2.1	10.0	400/900	3000	0.537	0.130			
2CB-E8.8/3.0	10.5	400/900	3000	0.537	0.183			
2CB-E8.8/3.6	11.0	400/900	3000	0.537	0.220			
2CB-E8.8/4.2	11.5	400/900	3000	0.537	0.256			
2CB-E10.9/2.1	12.0	400/900	3000	0.665	0.130			
2CB-E10.9/3.0	12.5	400/900	3000	0.665	0.183			
2CB-E10.9/3.6	13.0	400/900	3000	0.665	0.220			
2CB-E10.9/4.2	13.5	400/900	3000	0.665	0.256			
2CB-E13.0/4.2	16.0	400/900	3000	0.793	0.265			

Dimensions



Model	Dimension/In			Model	Dimension/In			Model	Dimension/In		
	L	L1	L2		L	L1	L2		L	L1	L2
2CB-E6.3/2.1	6.07	3.74	2.41	2CB-E8.8/3.0	6.54	4.08	2.74	2CB-E10.9/3.0	6.90	4.53	3.04
2CB-E6.3/3.0	6.21	3.90	2.41	2CB-E8.8/3.6	6.61	4.24	2.74	2CB-E10.9/3.6	7.00	4.53	3.04
2CB-E6.3/3.6	6.28	3.90	2.74	2CB-E8.8/4.2	6.70	4.24	2.74	2CB-E10.9/4.2	7.09	4.53	3.04
2CB-E8.8/2.1	6.41	4.08	2.74	2CB-E10.9/2.1	6.70	4.37	3.04	2CB-E13.0/4.2	6.70	4.37	3.04