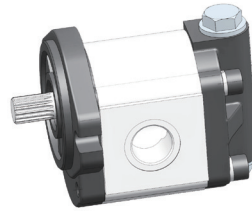


## 2CP 18 Constant Flow Gear Pumps

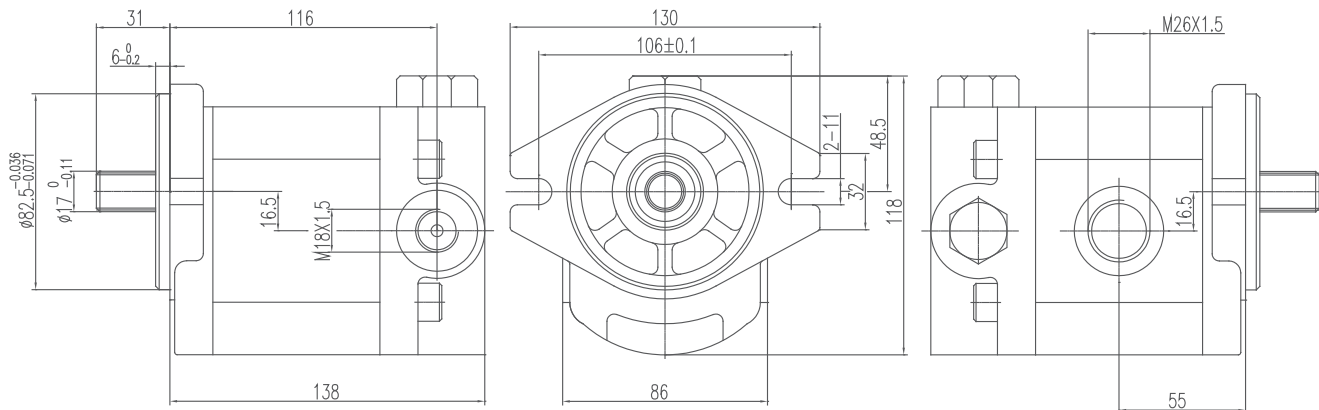


Model	Displacement(ml/r)	Constant flow(L/min)	Max Pressure(bar)	Speed(r/min)
2[C]P18 16/14L17F106D18SS	18	16	10	500-3200

### Involute Spline Parameter

m	Z	Pressure angle	Precision
1	16	300	5h

### Dimensions



### Ordering Code

2	[C]P	**	16/14	L17	F106D18	/L	SS
Group 2	Constant flow Gear pump	Displacement 18 ml/r	Control flow: 16L/min safety valve pressure: 14MPa	Inlet/outlet combination	Shaft and flange combination	Rotation L= left omit = right	inlet/out position combination BB, BS, SB, SS