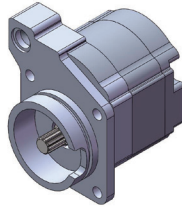
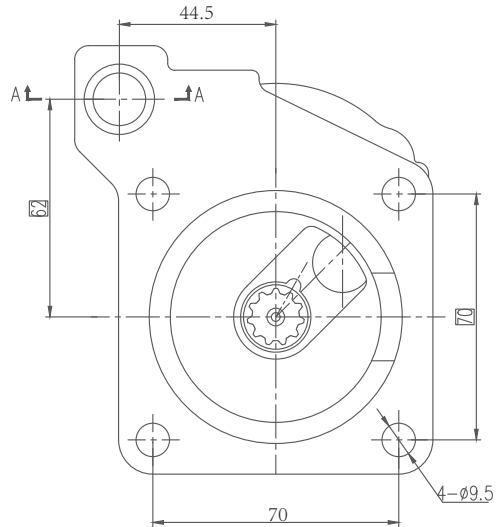
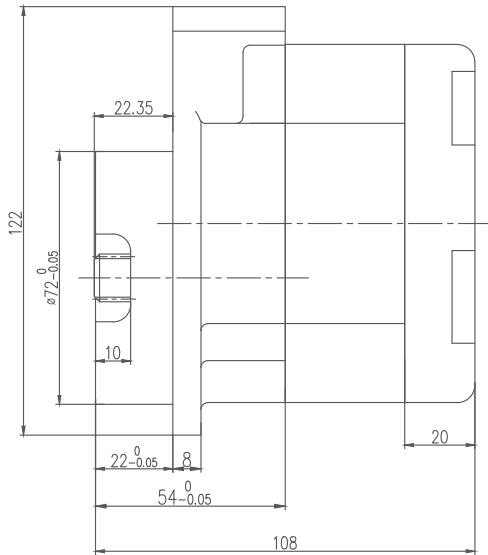


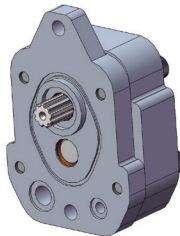
**OM701GR17K03S86SP17-X**



Model	Displacement (ml/r)	Pressure(bar)		Speed(r/min)		
		Rated	Peak	Rated	Max.	Min.
OM701GR17K03S86SP17-X	17	140	160	1500	2500	600



**OM702GR10K04S84D14**



Model	Displacement (ml/r)	Pressure(bar)		Speed(r/min)			Inlet	Outlet
		Rated	Peak	Rated	Max.	Min.		
OM702GR10K04S84D14	10	100	160	1500	2500	600	Φ 14	Φ 8

