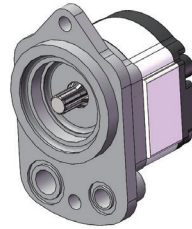
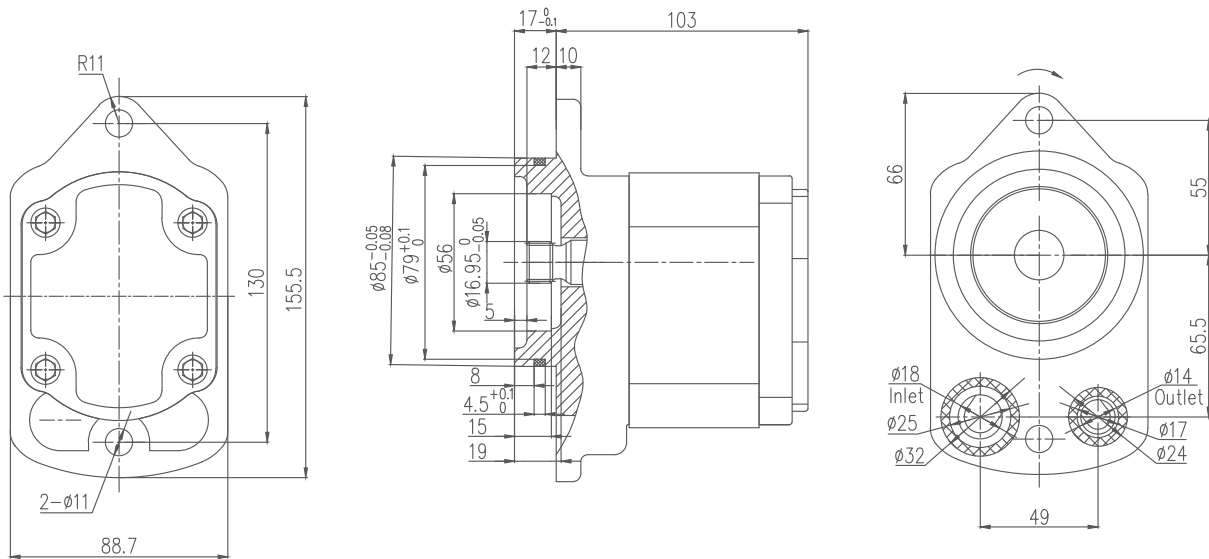


OM401GR18K05S87SP18-X



| Model | Displacement (ml/r) | Pressure(bar) | | Speed(r/min) | | | Inlet | Outlet |
|-----------------------|---------------------|---------------|------|--------------|------|------|-------|--------|
| | | Rated | Peak | Rated | Max. | Min. | | |
| OM401GR18K05S87SP18-X | 18 | 140 | 160 | 1500 | 2500 | 600 | Φ18 | Φ14 |



OM601GR18K05S89SP20-X/S88SP19-X

| Model | Displacement (ml/r) | Pressure(bar) | | Speed(r/min) | | | Inlet | Outlet |
|-----------------------|---------------------|---------------|------|--------------|------|------|-------|--------|
| | | Rated | Peak | Rated | Max. | Min. | | |
| OM601GR18K05S89SP20-X | 18 | 140 | 160 | 1500 | 2500 | 600 | Φ18 | Φ14 |
| OM601GR18K05S88SP19-X | 18 | 140 | 160 | 1500 | 2500 | 600 | Φ18 | Φ14 |

