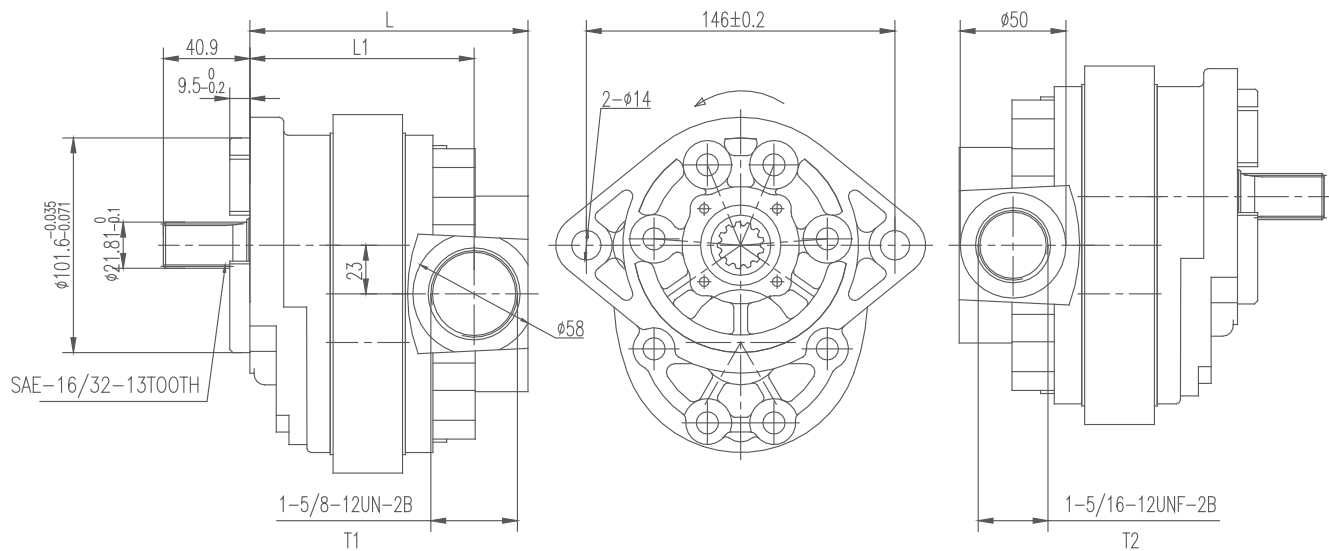


3BPFLJ**S70SP10***



Model	Displacement (ml/r)	Pressure(bar)		Speed(r/min)			L (mm)	L1 (mm)	T1 (mm)	T2 (mm)
		Rated	Peak	Rated	Max.	Min.				
3BPF22LJ53S70SP10*	22	200	250	2000	3000	400	111.6	85.6	1-5/8-12UNC-2B	1-5/16-12UNC-2B
3BPF26LJ53S70SP10*	26	200	250	2000	3000	400	114.5	88.5		
3BPF34LJ53S70SP10*	34	200	250	2000	3000	400	120.2	94.2		
3BPF39LJ53S70SP10*	39	200	250	2000	3000	400	123.8	97.8		
3BPF43LJ53S70SP10*	43	200	250	2000	2800	400	126.5	100.5		
3BPF50LJ53S70SP10*	50	200	250	2000	2400	400	131.5	105.5		
3BPF60LJ53S70SP10*	60	180	230	1500	2400	400	138.5	112.5		
3BPF63LJ53S70SP10*	63	180	200	1500	2100	400	140.8	114.8		

Dimensions



Ordering Code

3	B	P	F	**	LJ53	S70SP10	/L
Group 3	Structure improve number	Gear pump	F:16 ~ 25 Mpa	Displacement 22, 26, 34, 39, 43, 50, 60, 63 ml/r	Inlet/outlet combination	Shaft and flange combination	Rotation L= left omit = right