

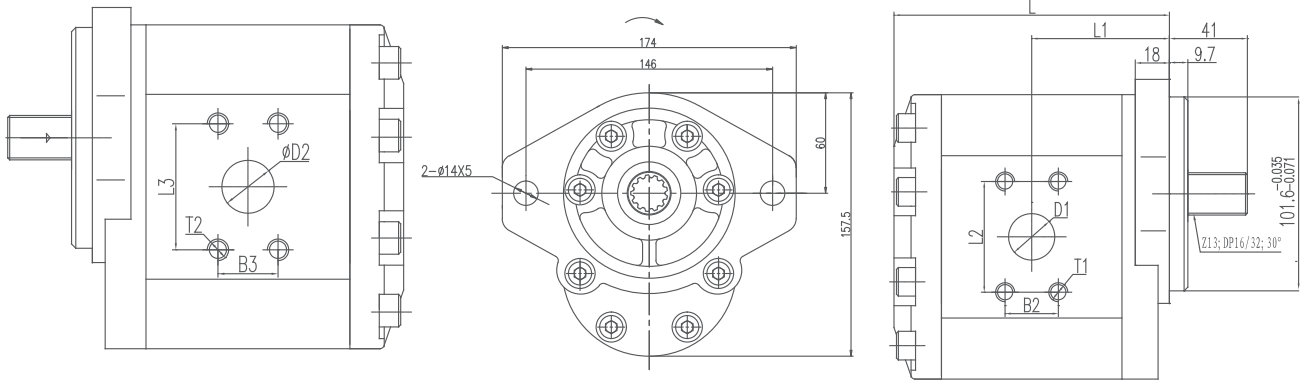
3APFF32S70D12***



Model	Displacement (ml/r)	Pressure(bar)		Speed(r/min)			L (mm)	L1 (mm)	L2 (mm)	B2 (mm)	D1 (mm)	T1 (mm)	L3 (mm)	B3 (mm)	D2 (mm)	T2 (mm)
		Rated	Peak	Rated	Max.	Min.										
3APF22F32S70D12	22	200	250	2000	3000	400	130.3	65.3	52.4	26.2	27	3/8 16- UNC -2B	26.2	47.6	19	3/8 16- UNC -2B
3APF26F32S70D12	26	200	250	2000	3000	400	133.3	66.8								
3APF34F32S70D12	34	200	250	2000	3000	400	138.8	69.6								
3APF39F32S70D12	39	200	250	2000	3000	400	142.8	71.6								
3APF43F32S70D12	43	200	250	2000	2800	400	145.3	72.8								
3APF51F32S70D12	51	200	250	2000	2400	400	151.3	75.8								
3APF60F36S70D12	60	180	230	1500	2800	400	157.8	79.1	58.7	28.4	33	7/16 14- UNC -2B	26.2	52.4	27	-2B
3APF70F36S70D12	70	180	200	1500	2500	400	164.8	82.5								
3APF78F36S70D12	78	160	200	1500	2300	400	171.0	85.0								
3APF89F36S70D12	89	140	180	1500	2000	400	176.0	88.0								

Dimensions

3APFF**S70D12***



3APFF52S81D12L**

