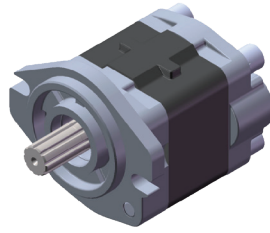
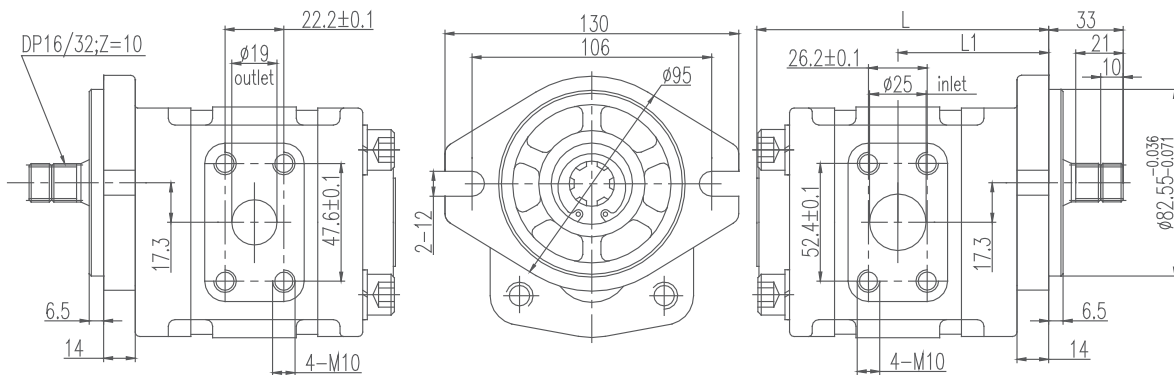


2.5CPF **FS28SP9***

Model	Displacement (ml/r)	Pressure(bar)		Speed(r/min)			L (mm)	L1 (mm)	Inlet	Outlet
		Rated	Peak	Rated	Max.	Min.				
2.5CPF20F30S28SP9*	20	200	250	2000	3000	500	124.5	61.5	Ø25	Ø19
2.5CPF25F30S28SP9*	25	200	250	2000	3000	500	130.5	64.5		
2.5CPF27F30S28SP9*	27	200	250	2000	3000	500	133.0	65.8		
2.5CPF30F30S28SP9*	30	200	250	2000	3000	500	136.5	67.5		
2.5CPF32F30S28SP9*	32	200	230	2000	3000	500	139.0	68.8		
2.5CPF36F30S28SP9*	36	200	230	2000	3000	500	143.5	71.0		
2.5CPF40F30S28SP9*	40	160	200	2000	3000	500	148.5	73.5		

Dimensions**2.5CPF**F30S28SP9*****2.5CPF**LJ03F88SP9LBB****Option : 2.5CPF**LJ02S28SP9*BB**