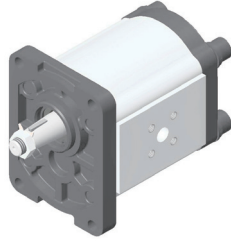
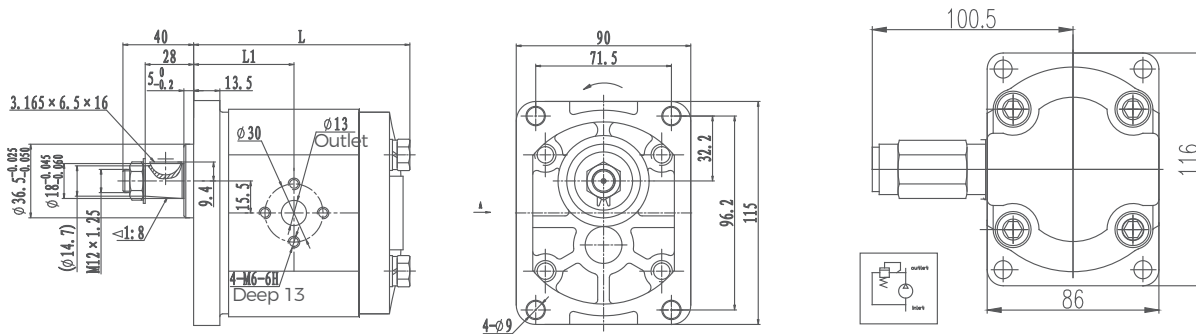


2ABPFF**T24S7***

Model	Displacement (ml/r)	Pressure(bar)		Speed(r/min)			L (mm)	L1 (mm)	Inlet			Outlet		
		Rated	Peak	Rated	Max.	Min.			ØD1	Ød1	T1	ØD2	Ød2	T2
2ABPF4F02T24S7*	4	200	250	2000	3500	500	95.5	43.3	30	13	M6			
2ABPF6F02T24S7*	6	200	250	2000	3500	500	99	45						
2ABPF8F02T24S7*	8	200	250	2000	3500	500	102	46.5						
2ABPF10F06T24S7*	10	200	250	2000	3500	500	105	48						
2ABPF12F06T24S7*	12	200	250	2000	3500	500	108	49.5						
2ABPF14F06T24S7*	14	200	250	2000	3500	500	111	51						
2ABPF16F06T24S7*	16	200	250	2000	3500	500	114	52.5	40	20	M8	3	13	M6
2ABPF18F06T24S7*	18	200	250	2000	3500	500	117.5	54.3						
2ABPF20F06T24S7*	20	200	250	2000	3500	500	121	56						
2ABPF23F06T24S7*	23	200	250	2000	3000	500	125.5	58.3						
2ABPF25F06T24S7*	25	200	250	2000	3000	500	128	59.5						
2ABPF28F06T24S7*	28	160	200	2000	3000	500	133	62						
2ABPF30F06T24S7*	30	160	200	2000	3000	500	136	63.5						

Dimensions**2ABPF**F06T24S7***

Option: With Relief Valve

**2ABPF**T49SP8L**