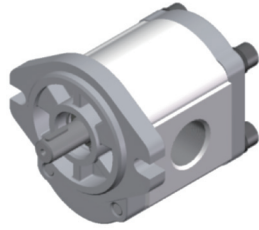


2PFL**F32D9***

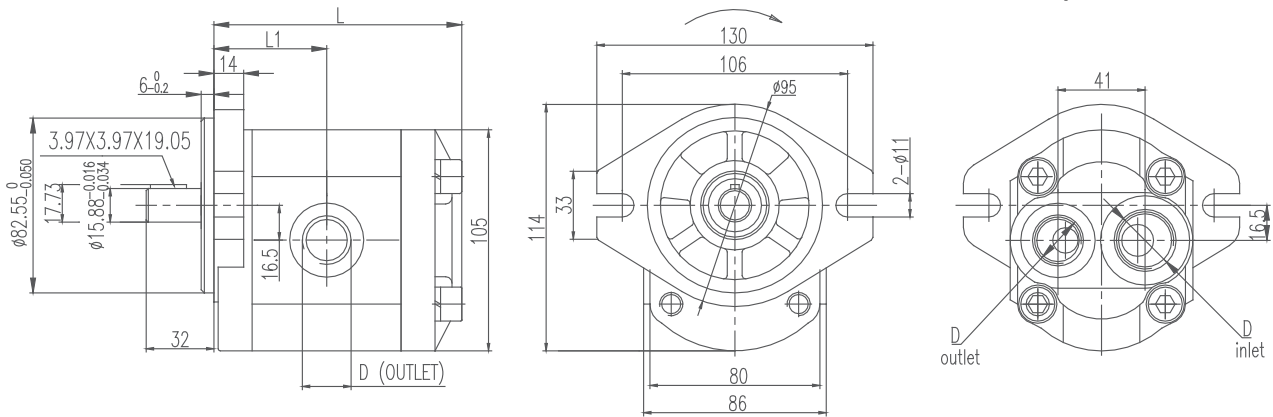


Model	Displacement (ml/r)	Pressure(bar)		Speed(r/min)			L (mm)	L1 (mm)	Inlet	Outlet
		Rated	Peak	Rated	Max.	Min.				
2PF4L09F32D9*	4	200	250	2000	3500	500	96	43.3	PT1/2	PT1/2
2PF6L09F32D9*	6	200	250	2000	3500	500	98	45		
2PF8L09F32D9*	8	200	250	2000	3500	500	102	46.5		
2PF10L09F32D9*	10	200	250	2000	3500	500	104	48		
2PF12L10F32D9*	12	200	250	2000	3500	500	108	50		
2PF14L10F32D9*	14	200	250	2000	3500	500	110	51	PT3/4	PT1/2
2PF16L10F32D9*	16	200	250	2000	3500	500	114	53		
2PF18L10F32D9*	18	200	250	2000	3500	500	117	55		
2PF20L10F32D9*	20	200	250	2000	3500	500	120	56		
2PF23L10F32D9*	23	200	250	2000	3000	500	123	58		
2PF25L10F32D9*	25	200	250	2000	3000	500	128	60		
2PF28L10F32D9*	28	160	200	2000	3000	500	133	63		
2PF30L10F32D9*	30	160	200	2000	3000	500	136	64		

Dimensions

2PFL**F32D9***

Option: Rear Oil Port



2PFL**S13D9-V**

Option: With Relief Valve

Adjustable Pressure of Relief Valve 50~250 Bar

