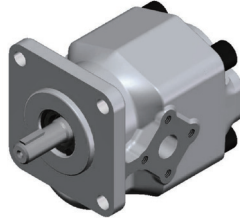


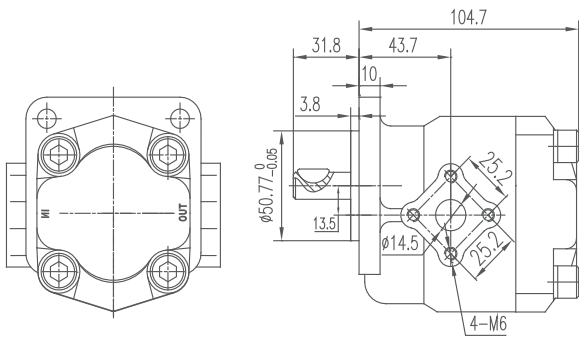
**1.5PF\*\*F\*\*F13S3\***



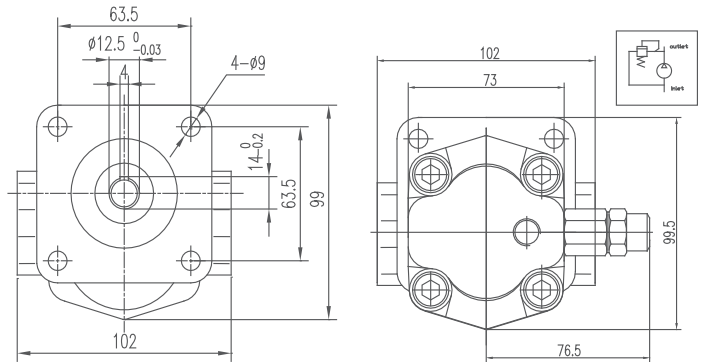
Model	Displacement (ml/r)	Pressure(bar)		Speed(r/min)		
		Rated	Peak	Rated	Max.	Min.
1.5PF02F50F13S3*	2	210	250	2000	3500	600
1.5PF03F50F13S3*	3	210	250	2000	3500	600
1.5PF04F50F13S3*	4	210	250	2000	3500	600
1.5PF05F50F13S3*	5	210	250	2000	3500	600
1.5PF06F50F13S3*	6	210	250	2000	3500	600
1.5PF08F50F13S3*	8	210	250	2000	3500	600
1.5PF09F50F13S3*	9	175	210	1500	2000	600
1.5PF11F50F13S3*	11	175	210	1500	2000	600
1.5PF12F50F13S3*	12	175	210	1500	2000	600

**Dimensions**

**1.5PF\*\*F50F13S3\***



**Option: with relief valve**



**1.5CPF\*\*FL60S92SP7\***

