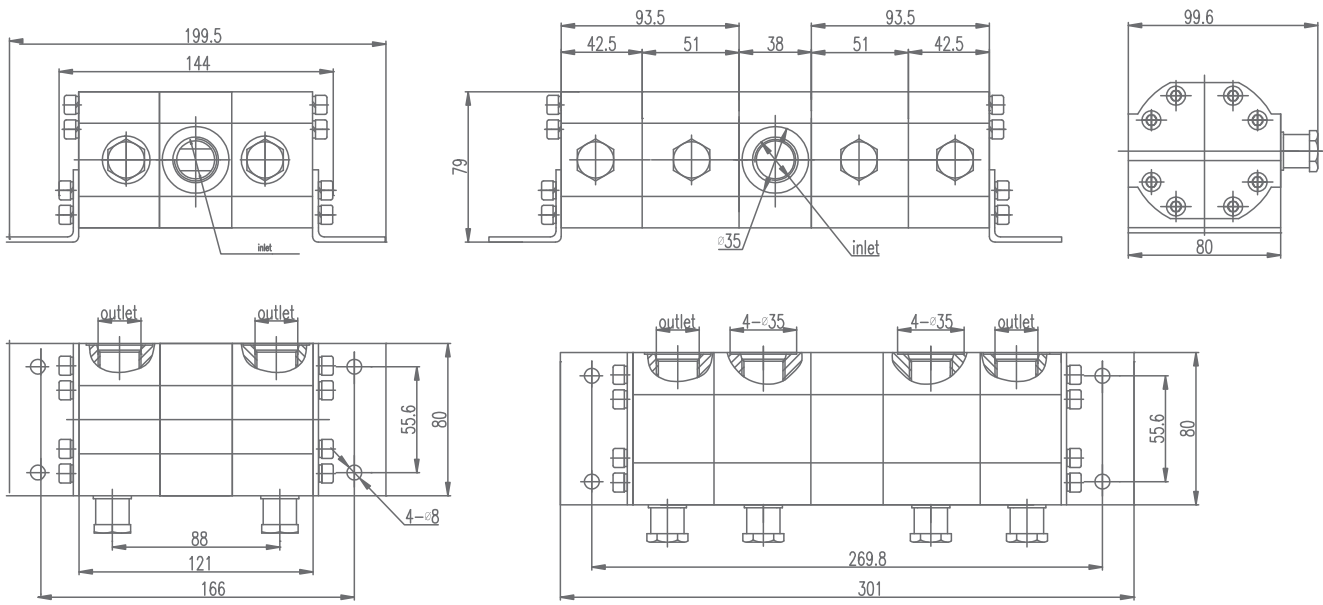


### 1FDF\*\*L\*\*-2/4 Flow Dividers

Displacement		Speed		Flowrange/Section				Min.system pressure		Max.pressure of oil outlet	
in <sup>3</sup> /r	ml/r	min. (rpm)	max. (rpm)	gpm		lpm		psi	bar	psi	bar
0.097	1.6	1000	3000	0.42	1.25	1.6	6.72	870	60	3480	240
0.122	2			0.52	2.2	2	8.4			3480	240
0.195	3.2			0.84	3.52	3.2	13.44			3480	240
0.244	4			1.05	4.41	4	16.8			3480	240
0.305	5			1.31	5.51	5	21			3480	240
0.366	6	3500	3500	1.57	5.51	6	21	580	40	3480	240
0.427	7			1.84	6.43	7	24.5			3480	240
0.488	8			2.10	7.34	8	28			3480	240

### Dimensions



### Schematic Diagrams

