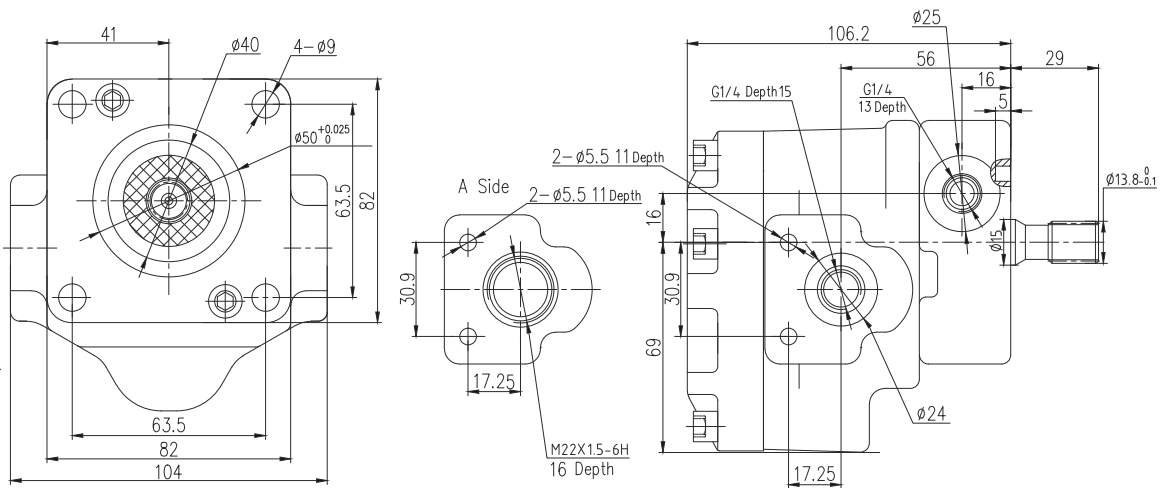


1.5BDPF***DL**S44L



Model	Displacement(ml/r)		Pressure(bar)				Speed(r/min)			L (mm)	L1 (mm)
	Front Pump	Rear Pump	Rated	Peak	Rated	Peak	Rated	Max	Min		
1.5BDPF3/3DFL17S44L	3	3	4	10	140	200	1500	3200	800	106.2	56
1.5BDPF4/4DL20S44L	4	4	4	10	140	200	1500	3200	800	106.2	56

Dimensions



1.5DPF**/**DF50F13S3*

Displacement (ml/r)	2	3	4	5	6	7	8	9	10	11	12
L1	42	44	46	48	50	52	54	56	58	60	62

Dimensions

