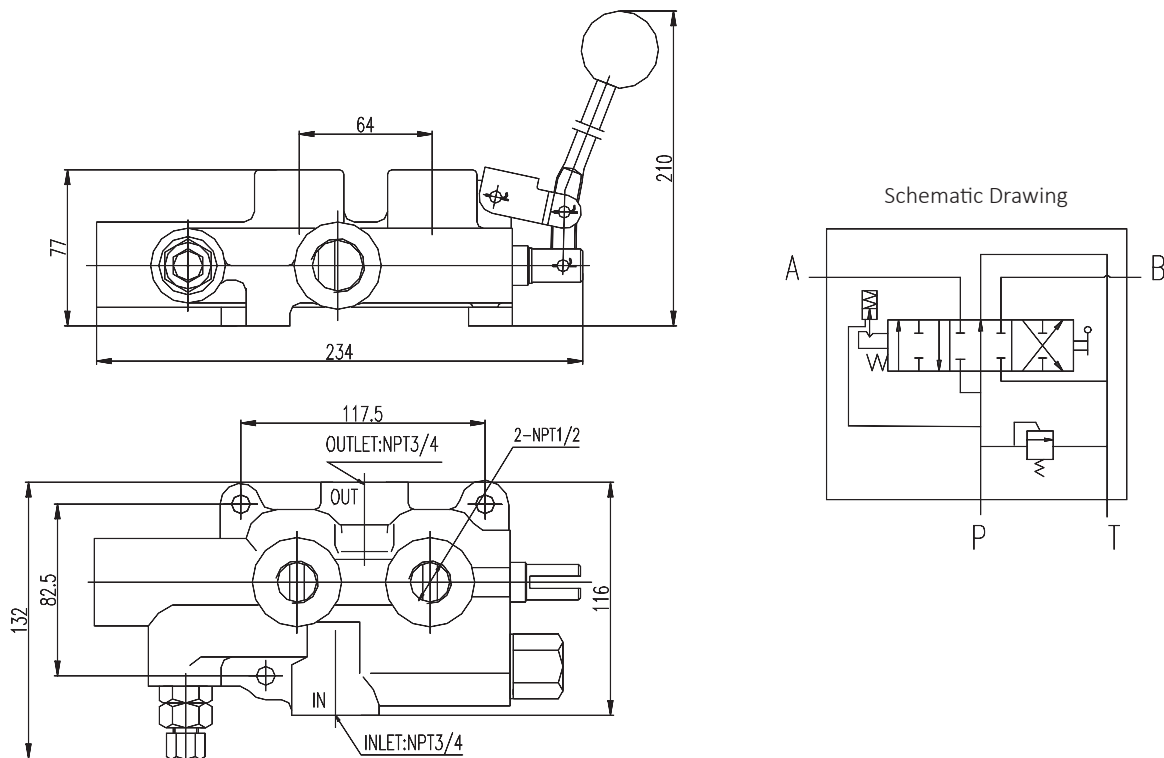


## LS-TW-20F Log Splitter Valve

### Specifications

Flow	95 (L/min)
Relief Pressure	200 (bar)
Detent Release Pressure	70 to 140 (bar)
Pressure Drop (P to A or B)	3bar (at 75L/min)
Pressure Drop (P to T)	0.8bar (at 75L/min)

### Installation Dimensions and Function Symbol



### Ordering Code

LS	-TW	20	F
a	b	c	d

Ⓐ Model

Ⓑ With pressure release detent

Ⓒ Nominal size(mm)

Ⓓ Pressure: 20Mpa