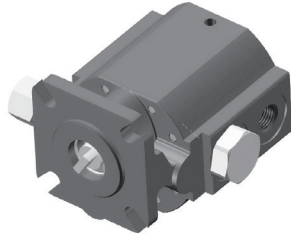


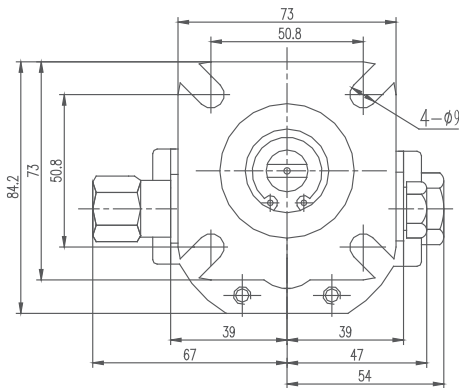
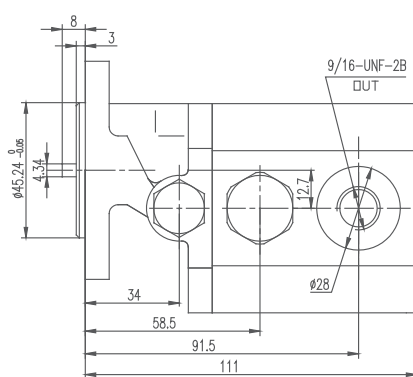
1EPF**L35O9S2*SS-YD



With Relief Valve



Model	Displacement (ml/r)	Pressure(bar)		Speed(r/min)			Port	
		Rated	Peak	Rated	Max.	Min.	Inlet	Outlet
1EPF1.6L35O9S2SS-YD	1.6	160	200	2000	4500	500	3/4-16UNF -2B	9/16-18UNF -2B
1EPF2.7L35O9S2SS-YD	2.7	160	200	2000	4500	500		
1EPF4.1L35O9S2SS-YD	4.1	160	200	2000	4500	500		
1EPF6.1L35O9S2SS-YD	6.1	160	200	2000	4500	500		

Dimensions



 clockwise: omit
 counter clockwise: L

