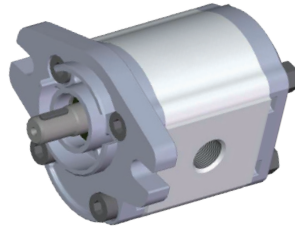


1APF*L**F16D2***

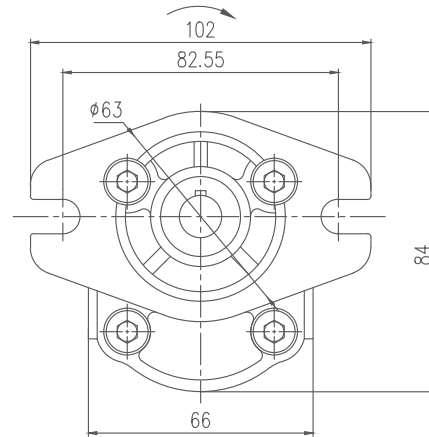
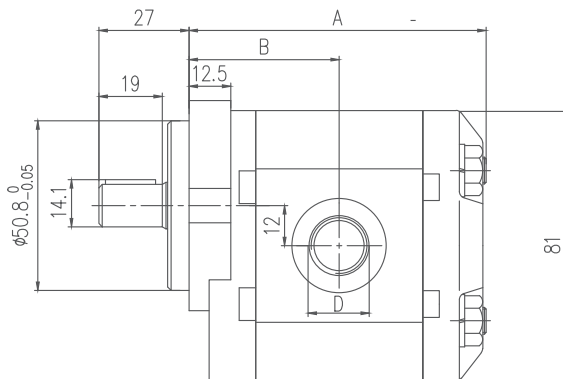


Model	Displacement (ml/r)	Pressure(bar)		Speed(r/min)			A(mm)	B(mm)	D	
		Rated	Peak	Rated	Max.	Min.			In	Out
1APF1.3L05F16D2*	1.3	200	250	3000	4500	500	82	42.0	G1/2	G3/8
1APF2.0L05F16D2*	2.0	200	250	3000	4500	500	84	43.0		
1APF2.7L05F16D2*	2.7	200	250	3000	4500	500	86	44.0		
1APF3.4L05F16D2*	3.4	200	250	3000	4500	500	88	45.0		
1APF4.1L05F16D2*	4.1	200	250	3000	4500	500	90	46.0		
1APF5.1L05F16D2*	5.1	200	250	3000	4500	500	93	47.5		
1APF6.1L05F16D2*	6.1	200	250	3000	4500	500	96	49.0		
1APF7.1L05F16D2*	7.1	200	250	3000	4500	500	101	50.5		

Dimensions

1APF*L**F16D2***

Option: 1APF With Relief Valve



1APFLJ35F16D4L**

