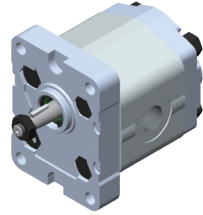


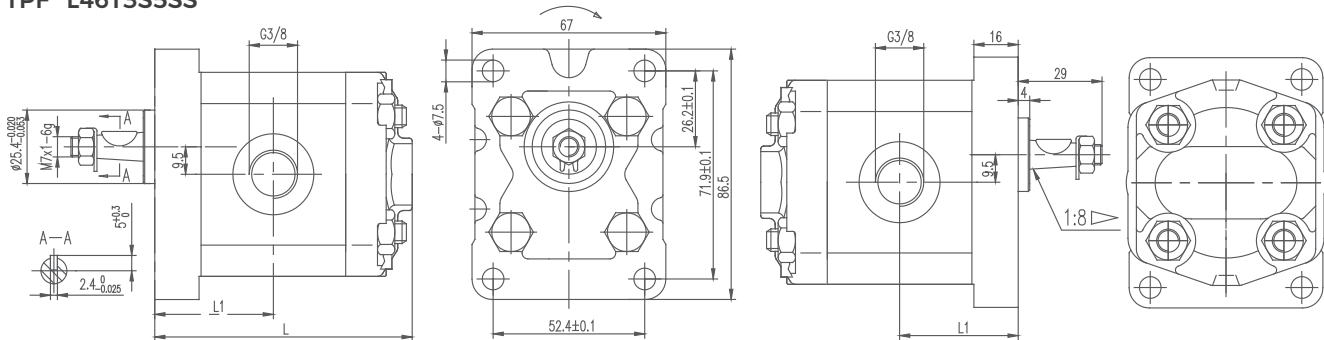
## 1PF\*\*L\*\*T3S5\*



Model	Displacement (ml/r)	Pressure(bar)		Speed(r/min)			L(mm)	L1(mm)
		Rated	Peak	Rated	Max.	Min.		
1PF1.1L46T3S5*	1.1	200	250	3000	6000	600	75.0	33.0
1PF1.3L46T3S5*	1.3	200	250	3000	6000	600	76.0	34.0
1PF1.6L46T3S5*	1.6	200	250	3000	6000	600	78.0	35.0
1PF1.8L46T3S5*	1.8	200	250	3000	6000	600	78.5	35.5
1PF2.1L46T3S5*	2.1	200	250	3000	6000	600	79.0	36.0
1PF2.7L46T3S5*	2.7	200	250	3000	6000	600	81.0	37.0
1PF3.2L46T3S5*	3.2	200	250	3000	5000	600	83.0	38.0
1PF3.7L46T3S5*	3.7	200	250	3000	4500	600	85.0	39.0
1PF4.2L46T3S5*	4.2	200	250	3000	4000	600	87.0	40.0
1PF4.8L46T3S5*	4.8	160	200	3000	3500	600	89.0	41.0
1PF5.8L46T3S5*	5.8	160	200	3000	3500	600	93.0	43.0
1PF8.0L46T3S5*	8.0	160	200	3000	3500	600	101.0	47.0

## Dimensions

## 1PF\*\*L46T3S5SS



## 1PF\*\*\*L46T3S5-V

Option: With Relief Valve

